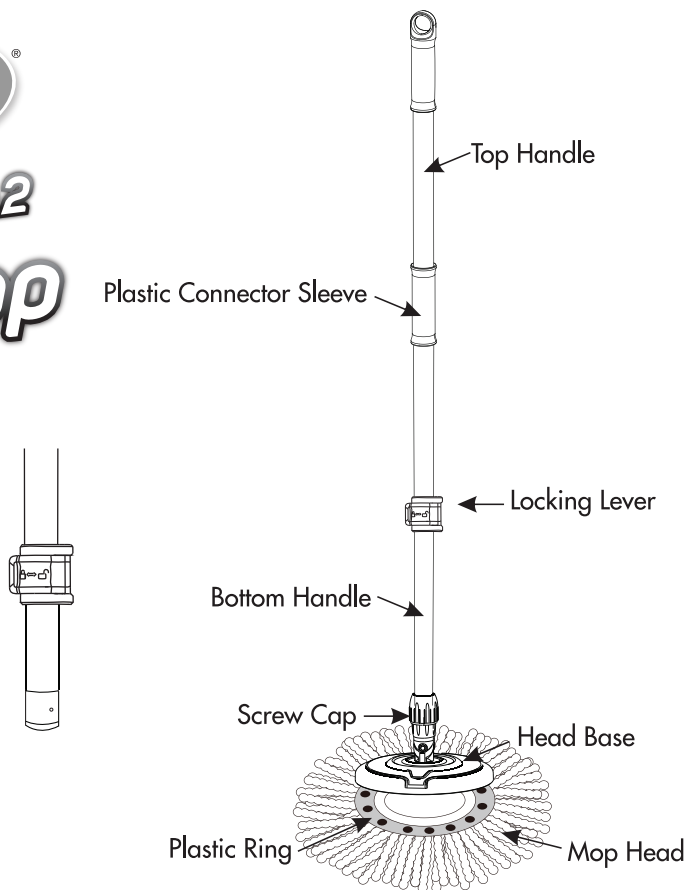


# sabco<sup>®</sup>

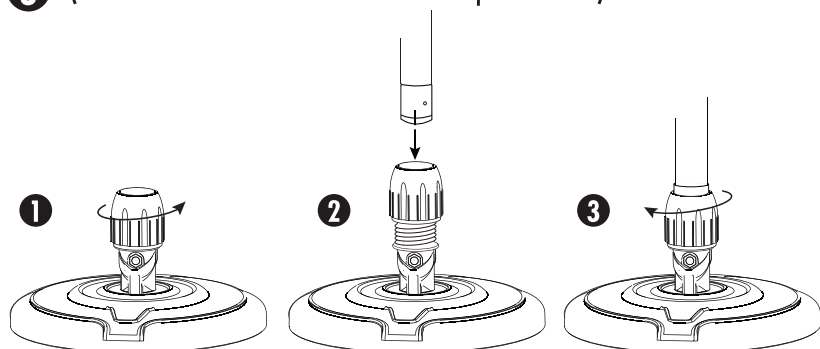
## SupaDry Gen2

# Spin Mop

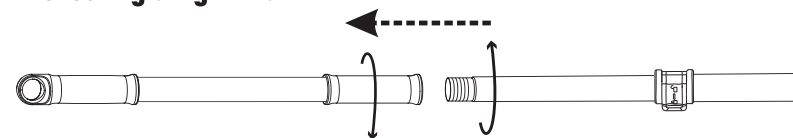


### TO ASSEMBLE MOP:

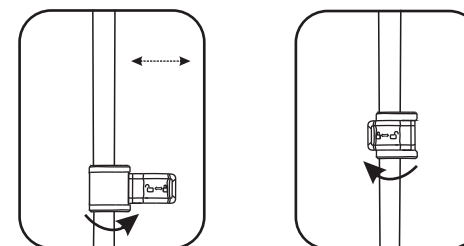
- 1 Loosen screw cap on collar of mop head.
- 2 Insert bottom handle into collar on mop head, ensuring that it is **fully inserted**.
- 3 Tighten screw cap fully. A **very tight** grip is essential (check that the handle cannot be pulled out).



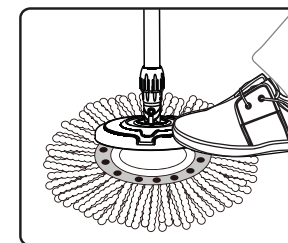
- 4 Screw top handle to bottom handle at plastic connector, ensuring a tight fit.



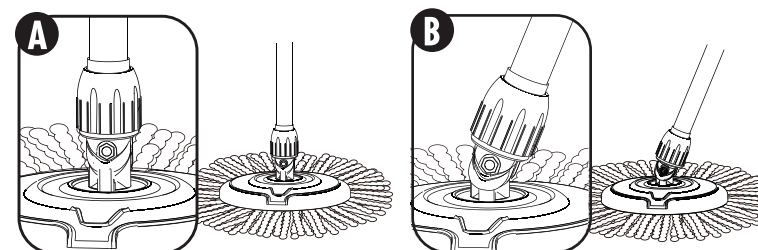
- 5 Release the locking lever and lengthen the handle to desired position. Snap the locking lever back into place.



- 6 Take microfibre refill and align plastic ring with base of mop head. "CLICK" refill into mop head, checking that it is securely fastened.



- 7 Keep handle in an upright position to wring (A), and pivot handle on an angle for mopping (B). Some force will be required to change handle position. This is normal and necessary for the mop to function properly.

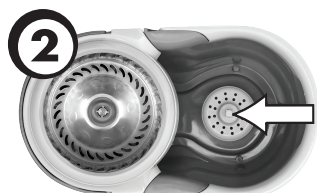


**sabco** *SupaDry Gen2*  
**Spin Mop**

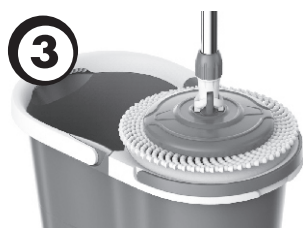


## INSTRUCTIONS

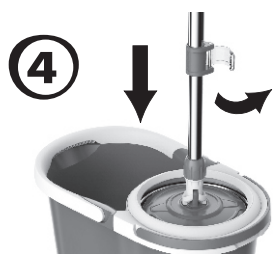
Fill bucket to MAX fill line. Add any desired cleaning solution.



Clean spinner agitates mop under water to remove dirt from the fibres with ease.



Place mop in spin chamber to remove excess water ready for mopping.



Release locking lever and push handle down to wring. For heavy duty mopping, wring mop head 1-3 times, leaving more water in the mop head to pick up more dirt. For lighter cleaning, wring mop at least 5 times.



Extend handle to desired length and snap locking lever back into place. You are ready to mop!



## CAUTION:

When lifting full bucket be sure to hold bucket as well as handle to stabilise and avoid spills.