



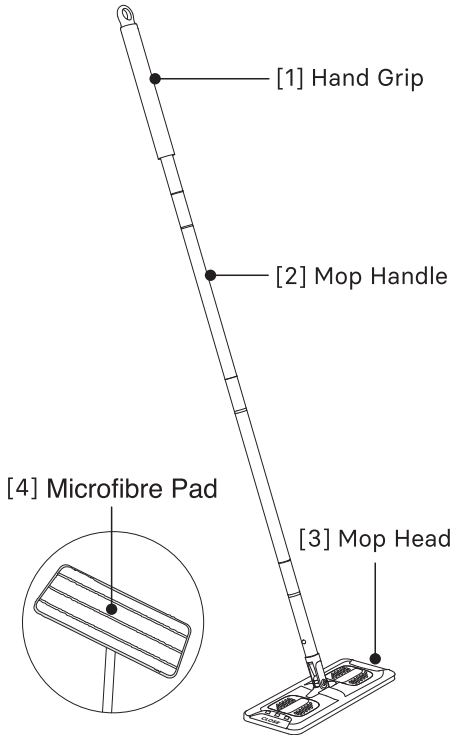
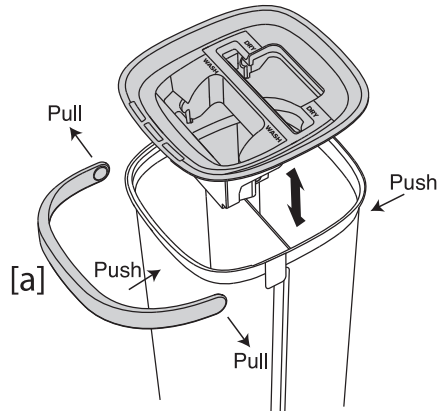
Rinse n' Wring Flat Mop Set

Instruction Manual

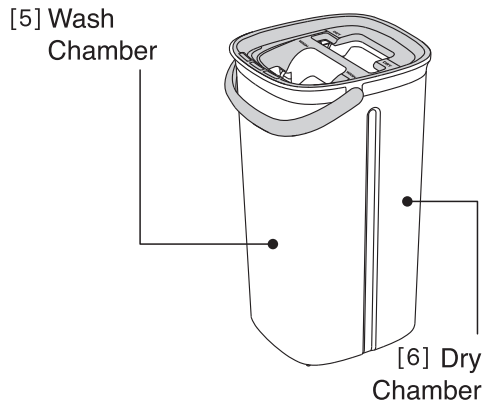
To remove bucket top:

- 1- Remove handle by placing it in the position shown [a].
- 2 - Gently pull outwards.
- 3 - Place hands on front and back of bucket and push until top pops up.

NOTE: When replacing handle, locate the handle tabs making sure to match the tabs with the holes. see below:



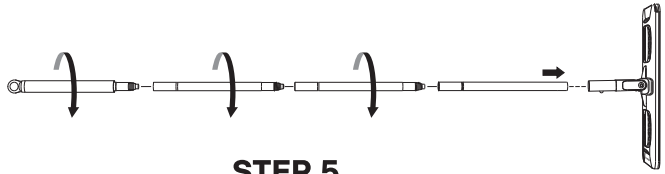
FULLY ASSEMBLED MOP



FULLY ASSEMBLED BUCKET

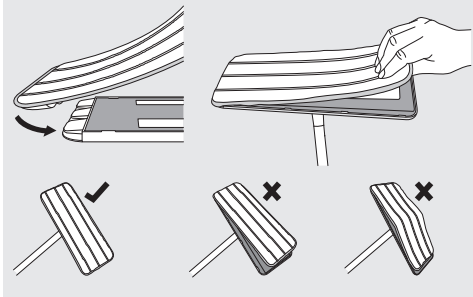
STEP 1

As illustrated, connect the [2]mop handle and twist tight.



STEP 2

Locate the three tabs found on the [3]mop head and insert them into the corresponding slots found on the [4]microfibre pad. Once inserted, stick the [4]microfibre pad onto the [3]mop head pressing until smooth & firmly attached.



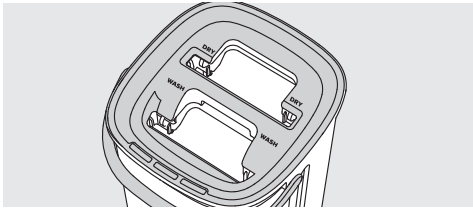
CARE INSTRUCTIONS:

1. Machine wash or hand wash in warm water then hang to dry.
2. DO NOT tumble dry – drip dry only.
3. DO NOT use fabric softener, this may damage the pads fibres.



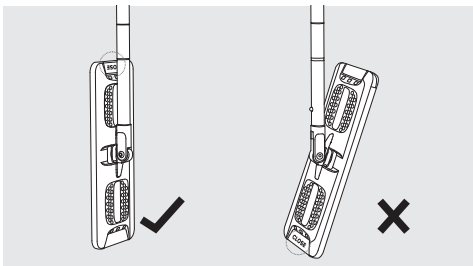
STEP 3

Fill the [5]wash Chamber with water, keeping it below the clear blade. (Please ensure you DO NOT overfill.)



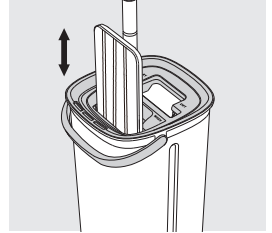
STEP 4

Fold the mop as illustrated.



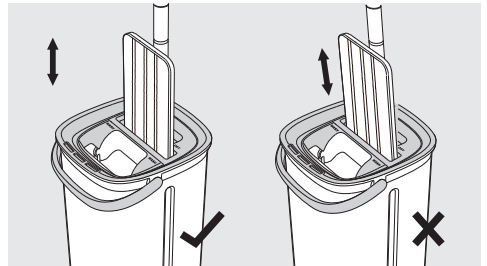
STEP 5

Insert the mop into the [5]wash Chamber and hold the [1]hand grip to rinse mop by vertically moving the handle up and down several times until dirt and grime have been agitated and released off the mop head.



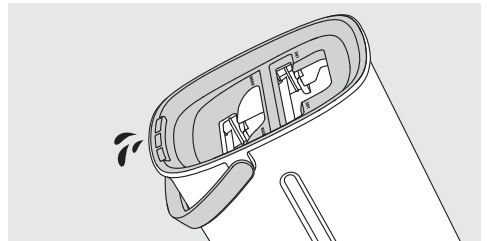
STEP 6

Move the mop to the [6]dry Chamber. Slowly push down the mop and then lift up to squeeze water out of the mop. Repeat the up & down movement to dry the mop for your desired dampness. Then start mopping the floor. (Tip: Please lift the handle vertically to avoid tipping over the bucket.)



STEP 7

Once mopping is complete empty the dirty water.



SABCO AUSTRALIA PTY. LTD
9-13 Link Way, Laverton North
Victoria, 3026.

www.sabco.com.au
facebook.com/Sabco.Australia

For further assistance or
queries, please call our
customer service team.

Ph:1800 066 522